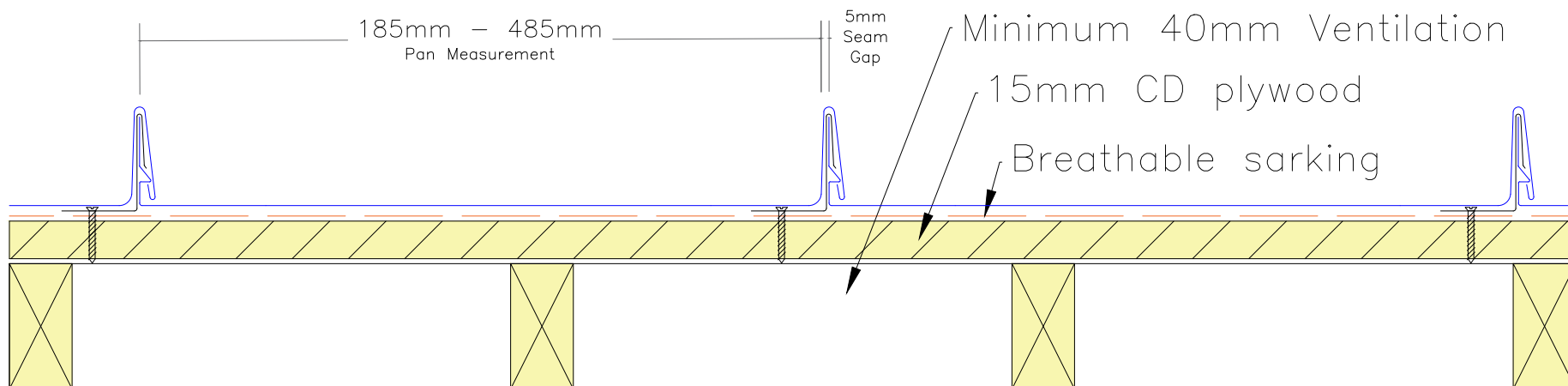
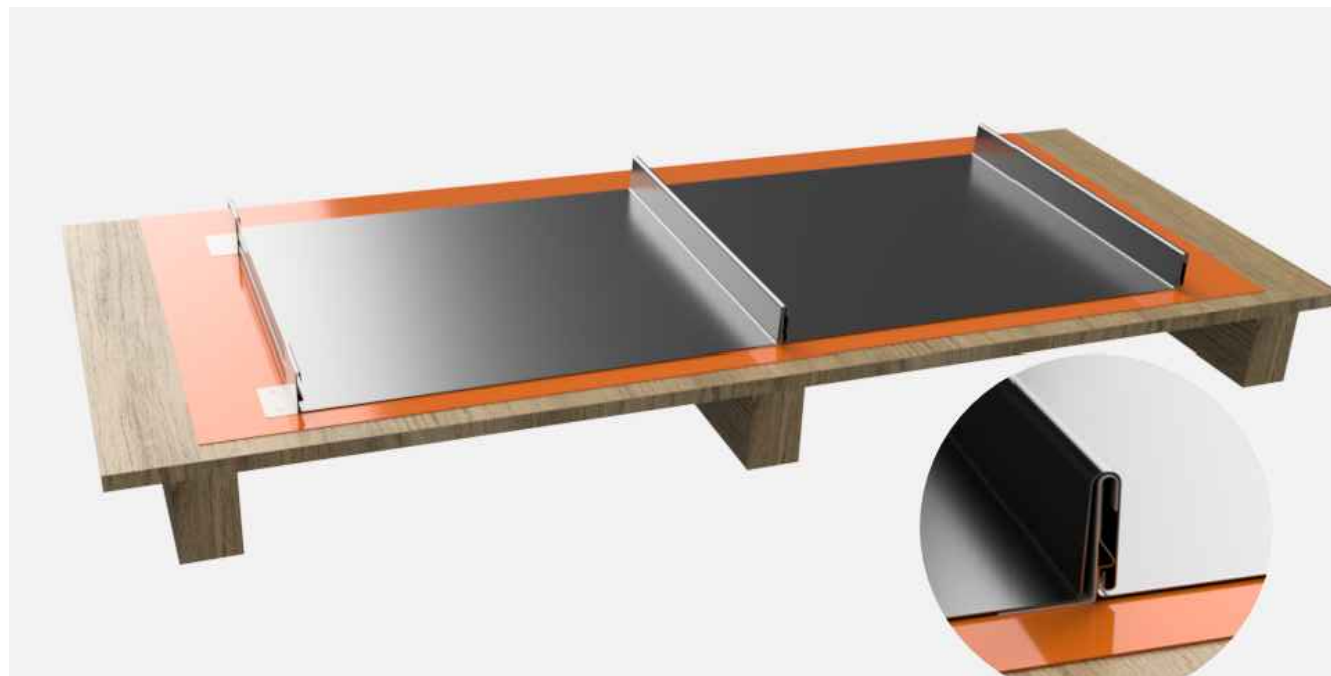
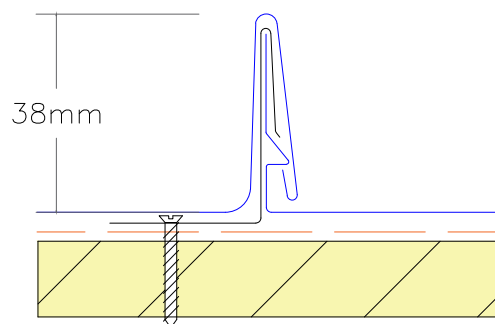
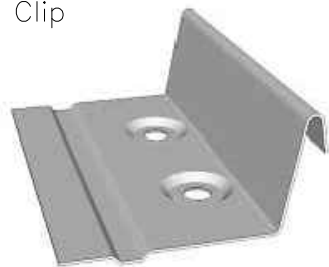


Snap-Lock
Clip



Zinc Roofing Company Pty Ltd TA Euroclad
 ABN: 45 297 371 439
 3/328 Brisbane Road Arundel QLD 4214
 Tel: (07) 5537 1937
 Email: info@euroclad.com.au

NOTES:

1. All dimensions shown are in millimeters unless otherwise stated.
2. Figured dimensions to be used in preference to scaled dimensions.
3. Ensure compliance with all relevant sections of current building regulations.
4. Any discrepancies found on drawings to be reported immediately to Euroclad.
5. Not a shop drawing. For illustration purposes only.

DRAWING #

SL-R-01

REVISION #

0

SYSTEM

Snap-Lock 38mm Roofing

TITLE

General cross section

SCALE

NTS

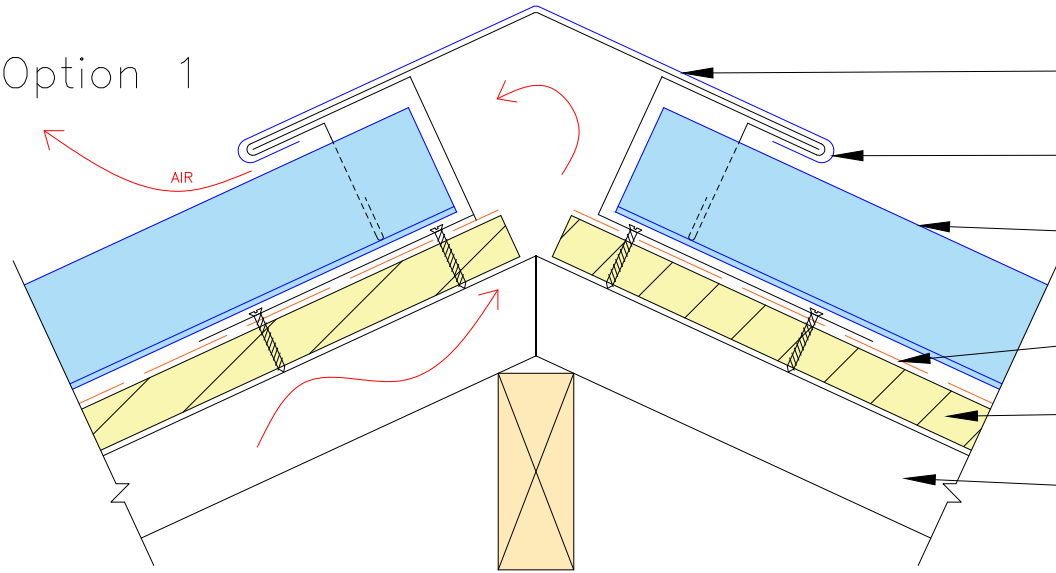
DATE: N/A

DRN: NP

JOB # 0

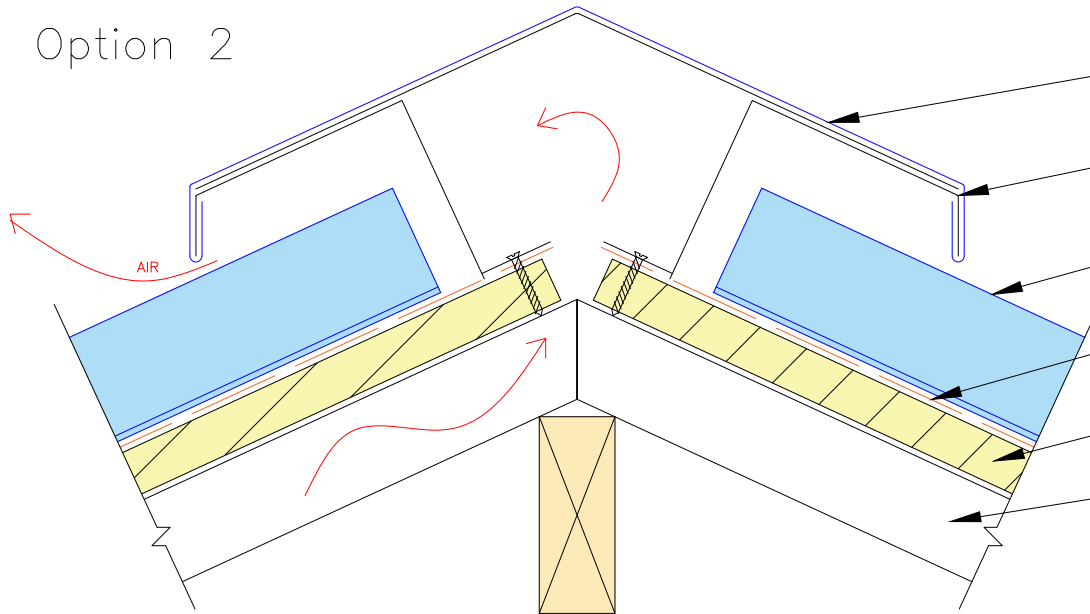
PROJ # 0

Option 1



- Ridge Cap
- Ridge Clip
- Snap-Lock Panel
- Anti Abrasive Breathable Sarking
- 15mm CD Plywood
- Minimum 40mm Ventilation

Option 2



- Ridge Cap
- Ridge Clip
- Snap-Lock Panel
- Anti Abrasive Breathable Sarking
- 15mm CD Plywood
- Minimum 40mm Ventilation



Zinc Roofing Company Pty Ltd TA Euroclad
 ABN: 45 297 371 439
 3/328 Brisbane Road Arundel QLD 4214
 Tel: (07) 5537 1937
 Email: info@euroclad.com.au

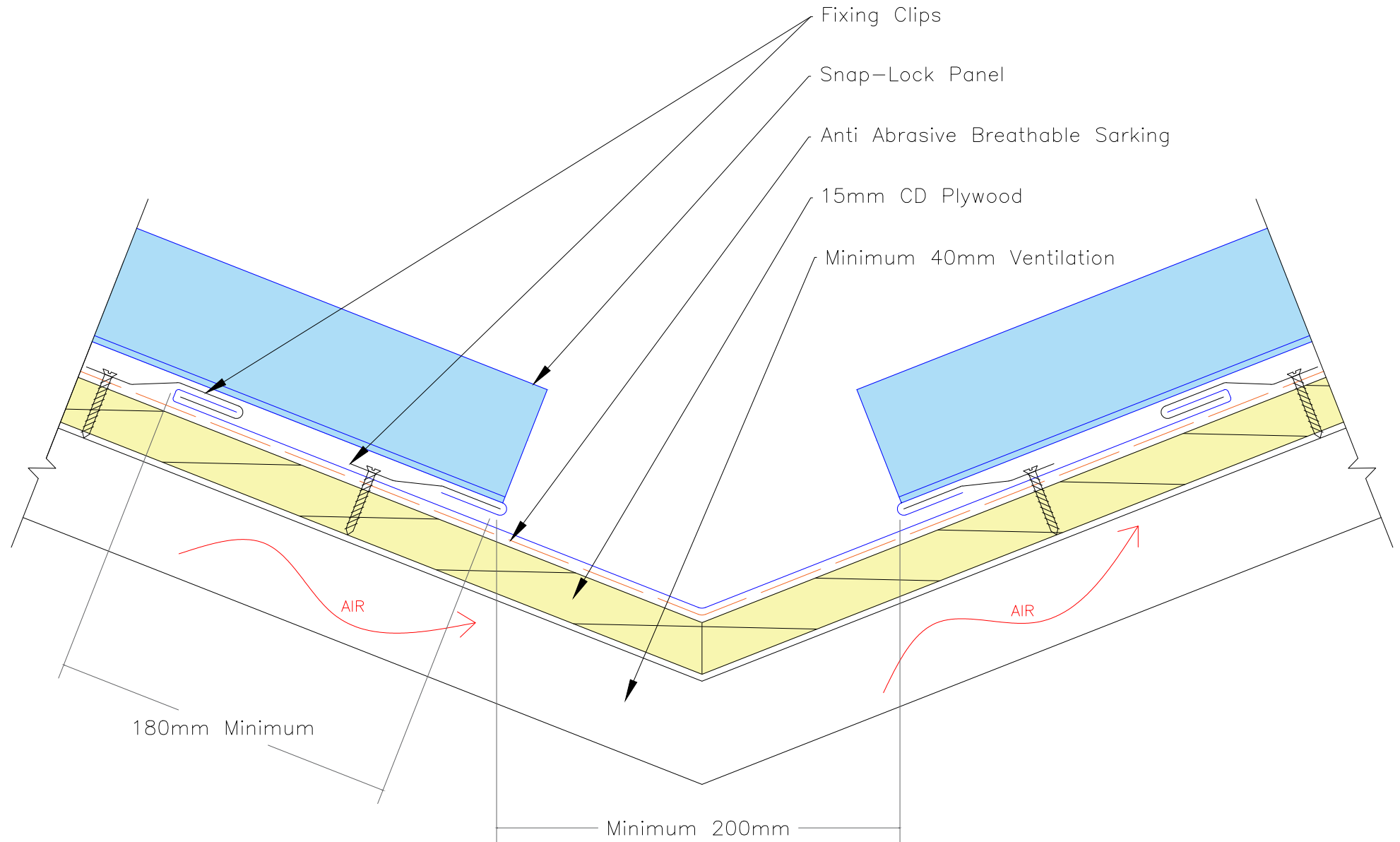
NOTES:
 1. All dimensions shown are in millimeters unless otherwise stated.
 2. Figured dimensions to be used in preference to scaled dimensions.
 3. Ensure compliance with all relevant sections of current building regulations.
 4. Any discrepancies found on drawings to be reported immediately to Euroclad.
 5. Not a shop drawing. For illustration purposes only.

DRAWING #
 SL-R-02

REVISION #
 0

SYSTEM	Snap-Lock 38mm Roofing
TITLE	Typical Ridge Cap Detail
SCALE	NTS

DATE: N/A DRN: NP JOB # 0 PROJ # 0



Zinc Roofing Company Pty Ltd TA Euroclad
 ABN: 45 297 371 439
 3/328 Brisbane Road Arundel QLD 4214
 Tel: (07) 5537 1937
 Email: info@euroclad.com.au

NOTES:

1. All dimensions shown are in millimeters unless otherwise stated.
2. Figured dimensions to be used in preference to scaled dimensions.
3. Ensure compliance with all relevant sections of current building regulations.
4. Any discrepancies found on drawings to be reported immediately to Euroclad.
5. Not a shop drawing. For illustration purposes only.

DRAWING #

SL-R-03

REVISION #

0

SYSTEM

Snap-Lock 38mm Roofing

TITLE

Typical Valley detail

SCALE

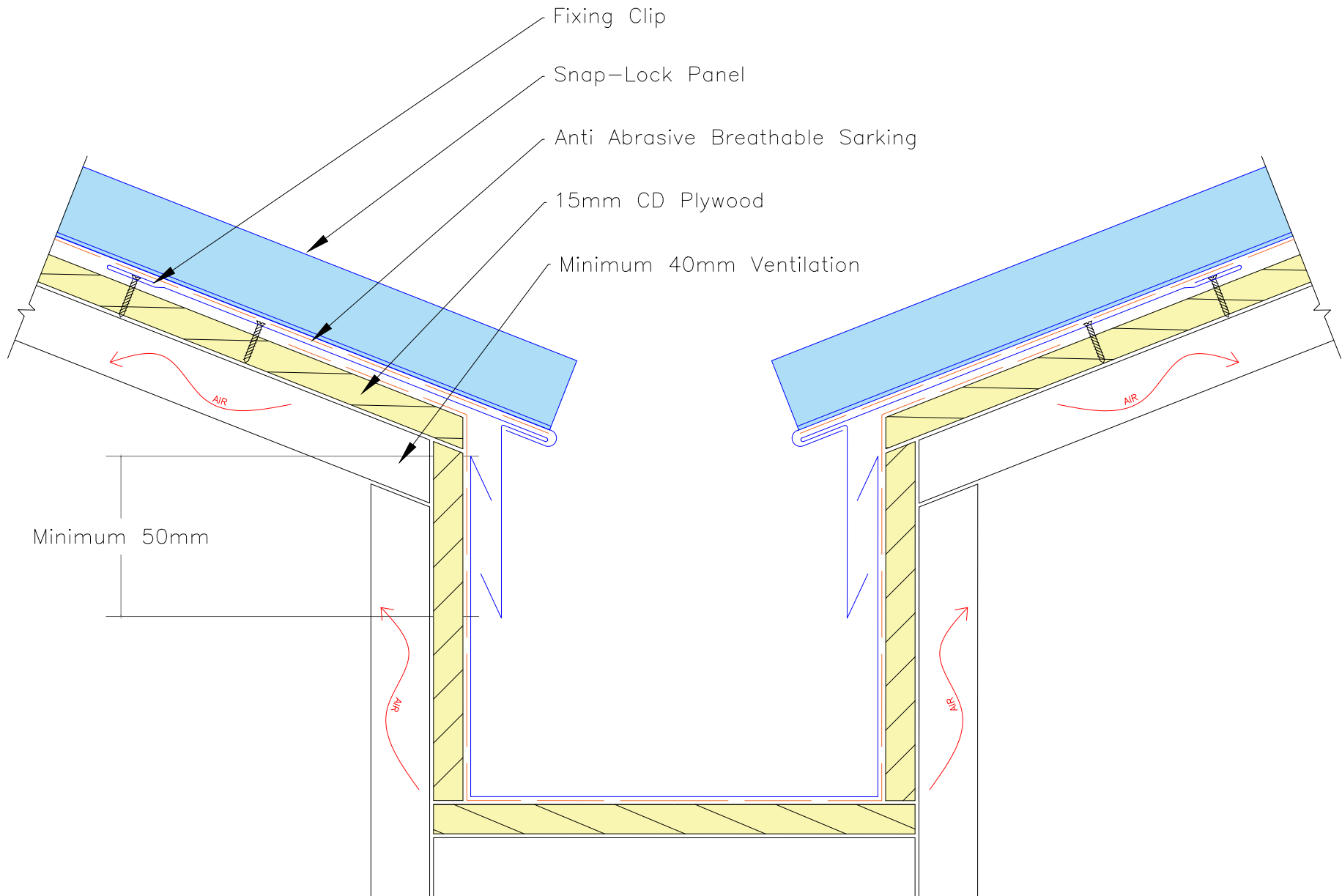
NTS

DATE: N/A

DRN: NP

JOB # 0

PROJ # 0



Zinc Roofing Company Pty Ltd TA Euroclad
 ABN: 45 297 371 439
 3/328 Brisbane Road Arundel QLD 4214
 Tel: (07) 5537 1937
 Email: info@euroclad.com.au

NOTES:

1. All dimensions shown are in millimeters unless otherwise stated.
2. Figured dimensions to be used in preference to scaled dimensions.
3. Ensure compliance with all relevant sections of current building regulations.
4. Any discrepancies found on drawings to be reported immediately to Euroclad.
5. Not a shop drawing. For illustration purposes only.

DRAWING #

SL-R-04

REVISION #

0

SYSTEM

Snap-Lock 38mm Roofing

TITLE

Typical box gutter detail

SCALE

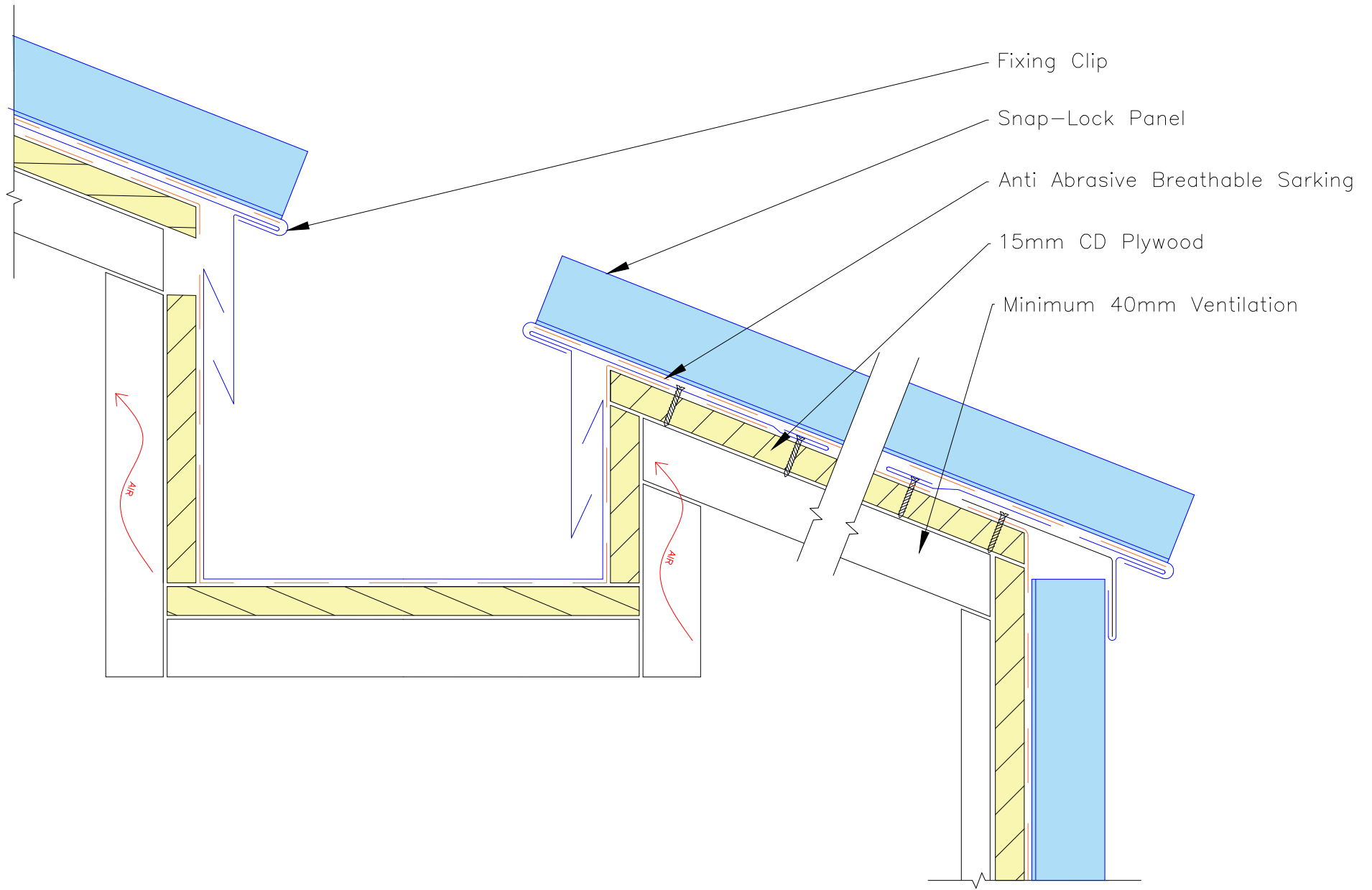
NTS

DATE: N/A

DRN: NP

JOB # 0

PROJ # 0



Zinc Roofing Company Pty Ltd TA Euroclad
 ABN: 45 297 371 439
 3/328 Brisbane Road Arundel QLD 4214
 Tel: (07) 5537 1937
 Email: info@euroclad.com.au

NOTES:

1. All dimensions shown are in millimeters unless otherwise stated.
2. Figured dimensions to be used in preference to scaled dimensions.
3. Ensure compliance with all relevant sections of current building regulations.
4. Any discrepancies found on drawings to be reported immediately to Euroclad.
5. Not a shop drawing. For illustration purposes only.

DRAWING #
SL-R-05

REVISION #
0

SYSTEM	Snap-Lock 38mm Roofing
TITLE	Box Gutter Slope with Eave
SCALE	NTS

DATE: N/A DRN: NP JOB # 0 PROJ # 0

