

Zinc Roofing Company Pty Ltd TA Euroclad
 ABN: 45 297 371 439
 3/328 Brisbane Road Arundel QLD 4214
 Tel: (07) 5537 1937
 Email: info@euroclad.com.au

DATE: N/A	DRN: NP
-----------	---------

NOTES:

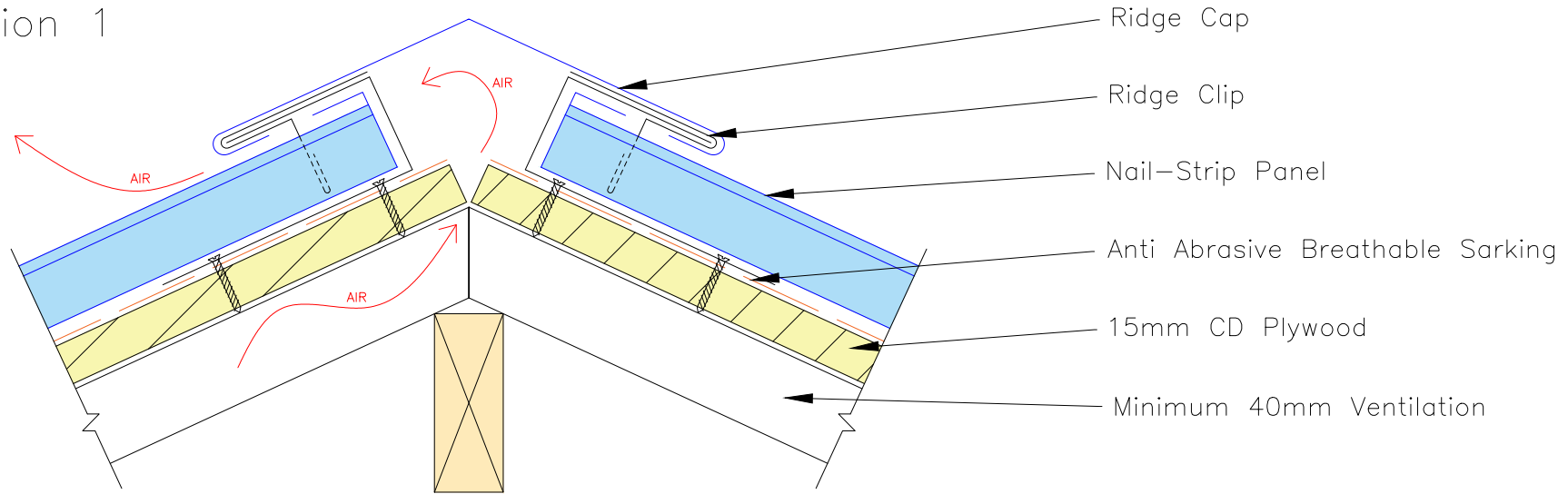
- All dimensions shown are in millimeters unless otherwise stated.
- Figured dimensions to be used in preference to scaled dimensions.
- Ensure compliance with all relevant sections of current building regulations.
- Any discrepancies found on drawings to be reported immediately to Euroclad.
- Not a shop drawing. For illustration purposes only.

JOB #	0
PROJ #	0

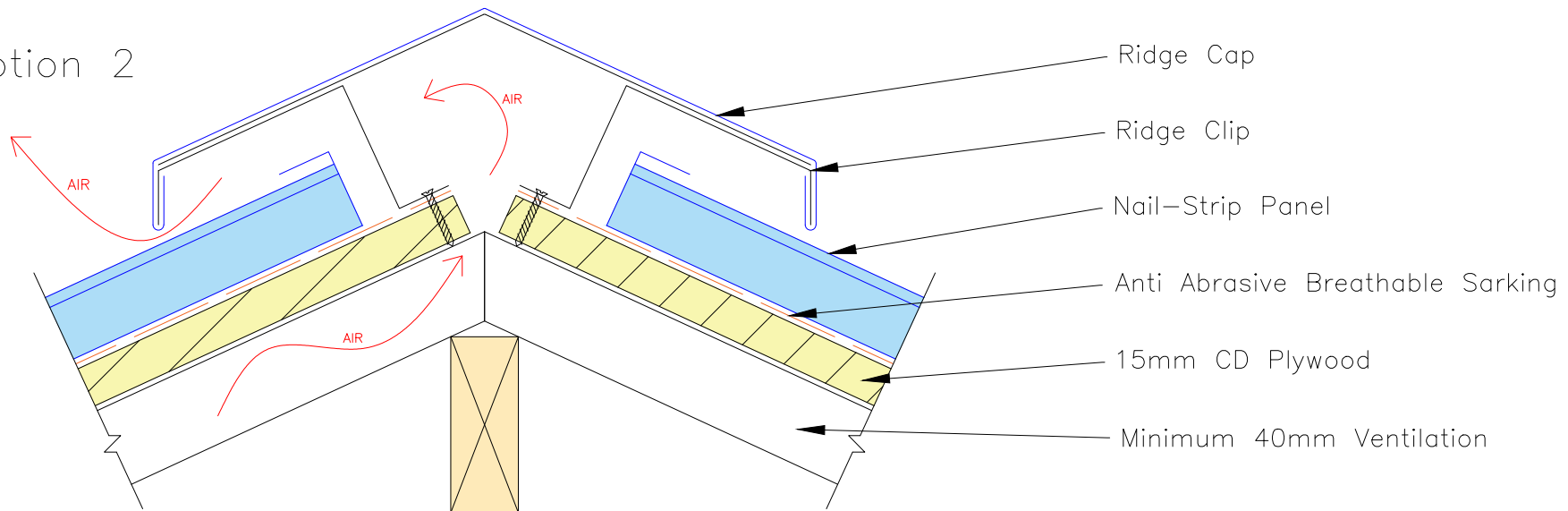
DRAWING #	REVISION #
NS-R-01	0

SYSTEM	Nail-Strip 25mm Roofing
TITLE	General cross section
SCALE	NTS

Option 1



Option 2



Zinc Roofing Company Pty Ltd TA Euroclad
 ABN: 45 297 371 439
 3/328 Brisbane Road Arundel QLD 4214
 Tel: (07) 5537 1937
 Email: info@euroclad.com.au

NOTES:
 1. All dimensions shown are in millimeters unless otherwise stated.
 2. Figured dimensions to be used in preference to scaled dimensions.
 3. Ensure compliance with all relevant sections of current building regulations.
 4. Any discrepancies found on drawings to be reported immediately to Euroclad.
 5. Not a shop drawing. For illustration purposes only.

DRAWING #
NS-R-02

REVISION #
0

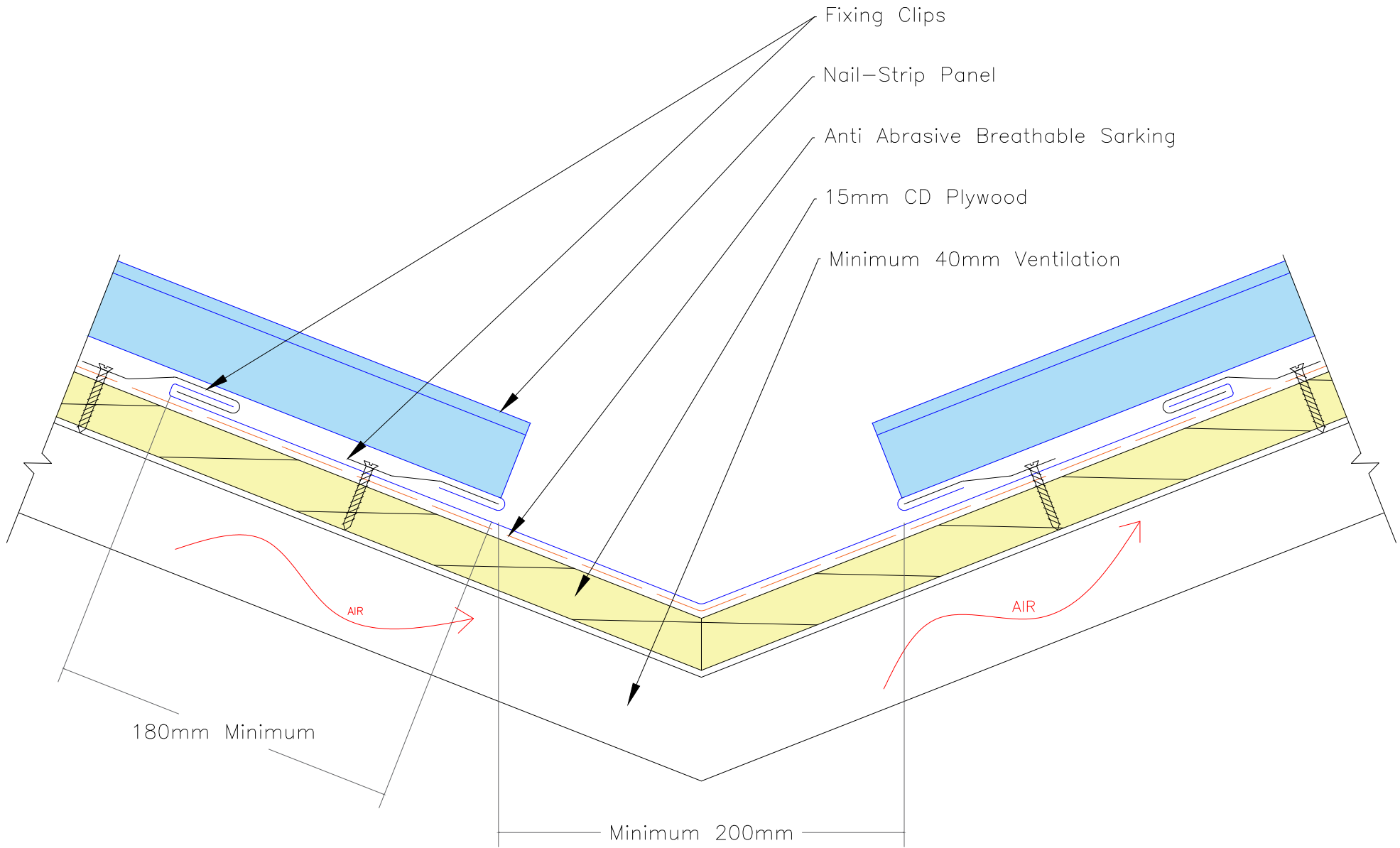
SYSTEM	Nail-Strip 25mm Roofing
TITLE	Typical Ridge Cap Detail
SCALE	NTS

DATE: N/A

DRN: NP

JOB # 0

PROJ # 0



NOTES:

1. All dimensions shown are in millimeters unless otherwise stated.
2. Figured dimensions to be used in preference to scaled dimensions.
3. Ensure compliance with all relevant sections of current building regulations.
4. Any discrepancies found on drawings to be reported immediately to Euroclad.
5. Not a shop drawing. For illustration purposes only.

DRAWING #

NS-R-03

REVISION #

0

SYSTEM

Nail-Strip 25mm Roofing

TITLE

Typical Valley detail

SCALE

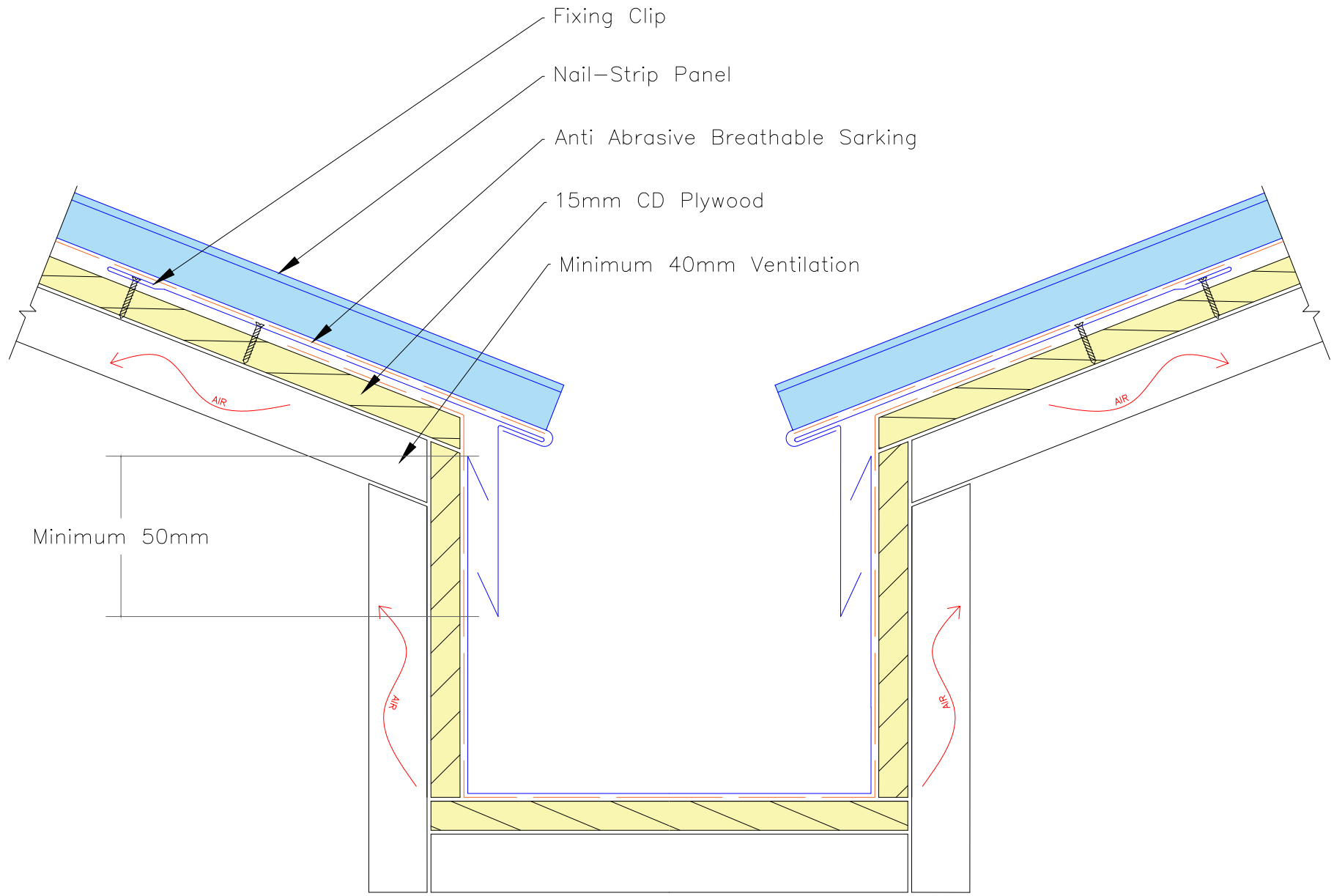
NTS

DATE: N/A

DRN: NP

JOB # 0

PROJ # 0



- Fixing Clip
- Nail-Strip Panel
- Anti Abrasive Breathable Sarking
- 15mm CD Plywood
- Minimum 40mm Ventilation

Minimum 50mm



Zinc Roofing Company Pty Ltd TA Euroclad
 ABN: 45 297 371 439
 3/328 Brisbane Road Arundel QLD 4214
 Tel: (07) 5537 1937
 Email: info@euroclad.com.au

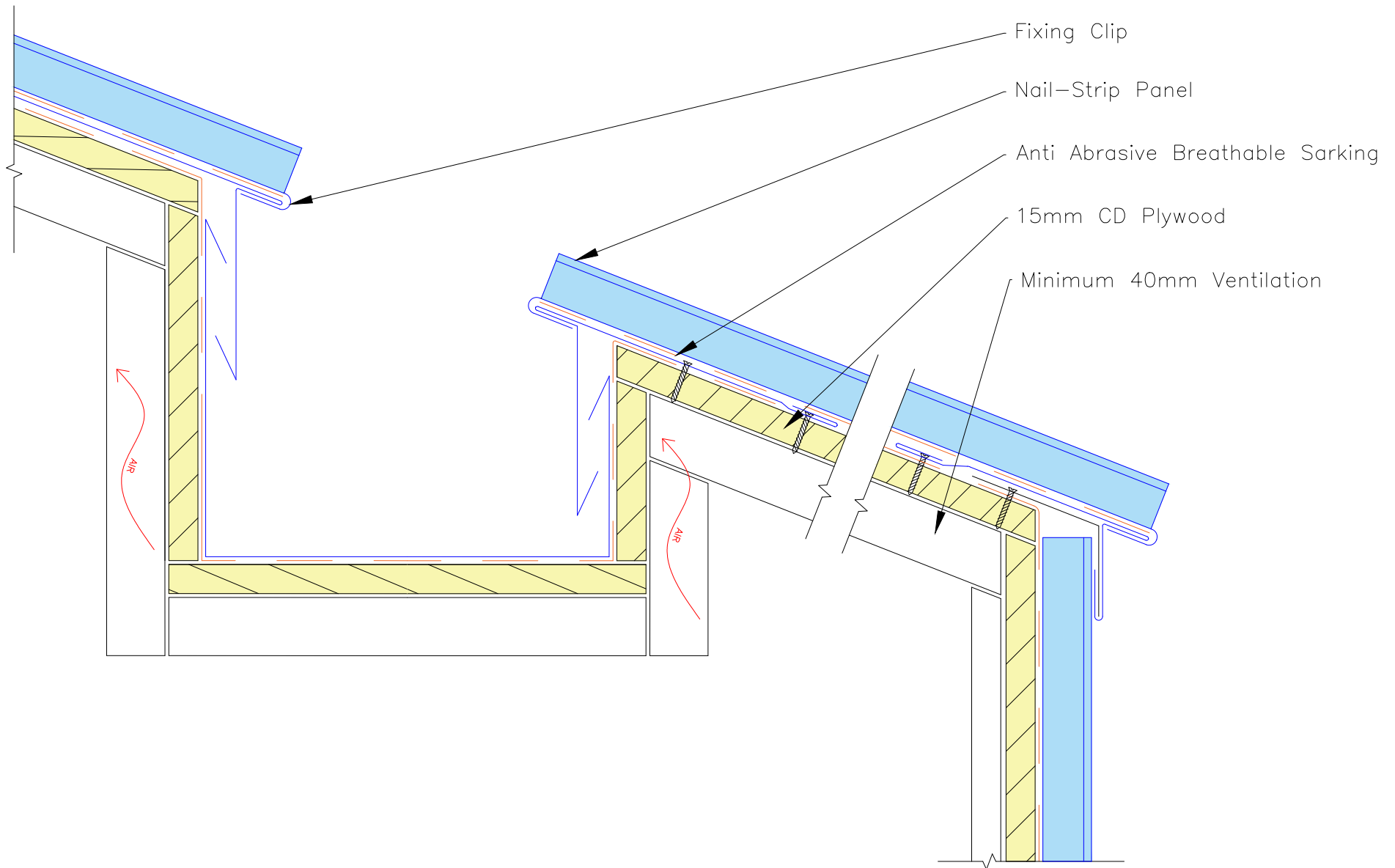
NOTES:
 1. All dimensions shown are in millimeters unless otherwise stated.
 2. Figured dimensions to be used in preference to scaled dimensions.
 3. Ensure compliance with all relevant sections of current building regulations.
 4. Any discrepancies found on drawings to be reported immediately to Euroclad.
 5. Not a shop drawing. For illustration purposes only.

DRAWING #
NS-R-04

REVISION #
0

SYSTEM	Nail-Strip 25mm Roofing
TITLE	Typical box gutter detail
SCALE	NTS

DATE: N/A DRN: NP JOB # 0 PROJ # 0



Fixing Clip

Nail-Strip Panel

Anti Abrasive Breathable Sarking

15mm CD Plywood

Minimum 40mm Ventilation



Zinc Roofing Company Pty Ltd TA Euroclad
 ABN: 45 297 371 439
 3/328 Brisbane Road Arundel QLD 4214
 Tel: (07) 5537 1937
 Email: info@euroclad.com.au

NOTES:

1. All dimensions shown are in millimeters unless otherwise stated.
2. Figured dimensions to be used in preference to scaled dimensions.
3. Ensure compliance with all relevant sections of current building regulations.
4. Any discrepancies found on drawings to be reported immediately to Euroclad.
5. Not a shop drawing. For illustration purposes only.

DRAWING #

NS-R-05

REVISION #

0

SYSTEM

Nail-Strip 25mm Roofing

TITLE

Box Gutter Slope with Eave

SCALE

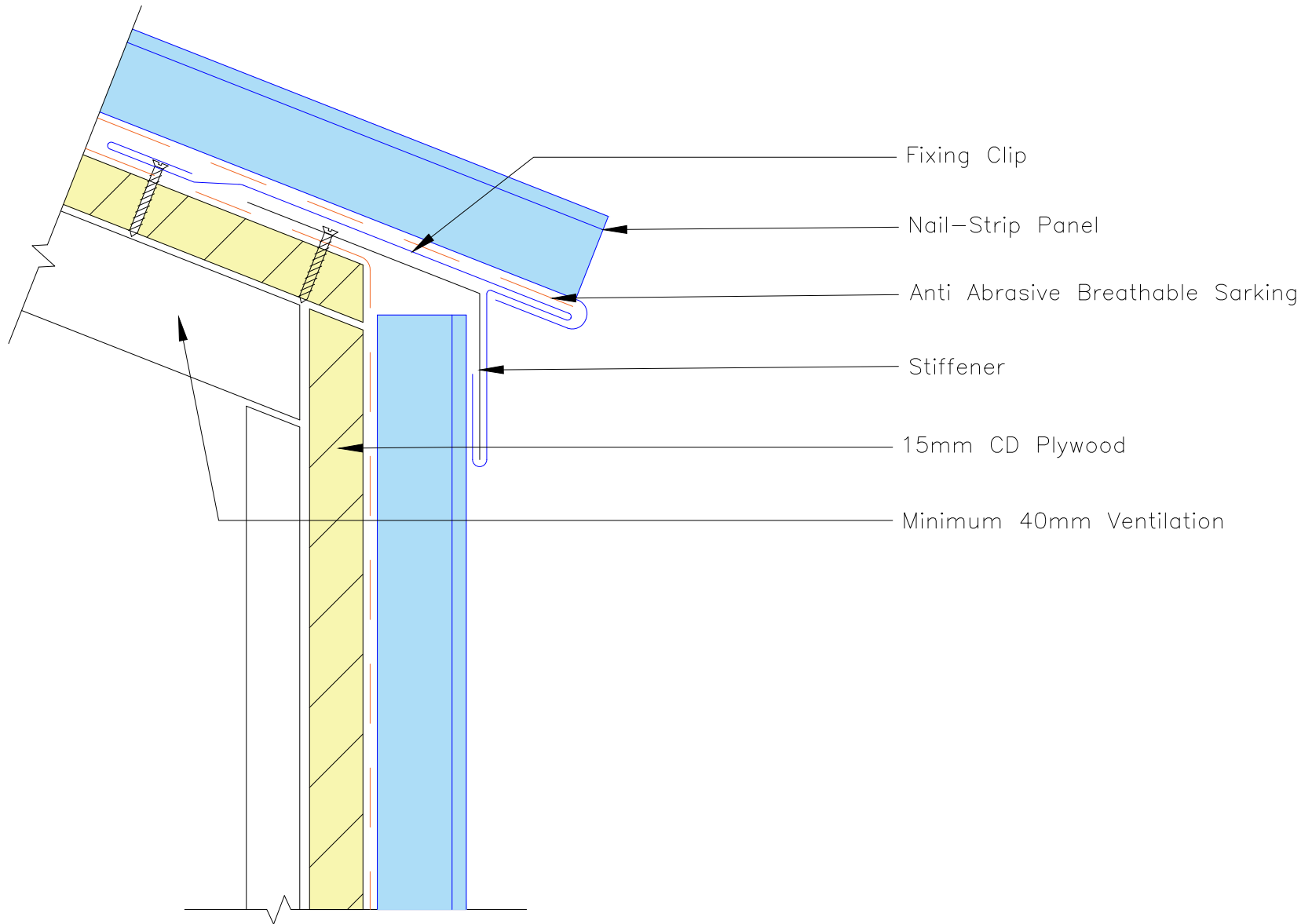
NTS

DATE: N/A

DRN: NP

JOB # 0

PROJ # 0



Fixing Clip

Nail-Strip Panel

Anti Abrasive Breathable Sarking

Stiffener

15mm CD Plywood

Minimum 40mm Ventilation



Zinc Roofing Company Pty Ltd TA Euroclad
 ABN: 45 297 371 439
 3/328 Brisbane Road Arundel QLD 4214
 Tel: (07) 5537 1937
 Email: info@euroclad.com.au

NOTES:

1. All dimensions shown are in millimeters unless otherwise stated.
2. Figured dimensions to be used in preference to scaled dimensions.
3. Ensure compliance with all relevant sections of current building regulations.
4. Any discrepancies found on drawings to be reported immediately to Euroclad.
5. Not a shop drawing. For illustration purposes only.

DRAWING #

NS-R-06

REVISION #

0

SYSTEM

Nail-Strip 25mm Roofing

TITLE

Typical Eave Detail

SCALE

NTS

DATE: N/A

DRN: NP

JOB # 0

PROJ # 0